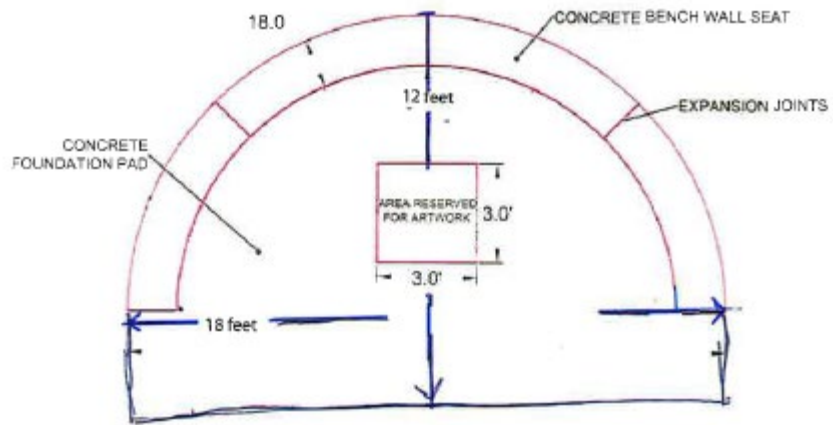




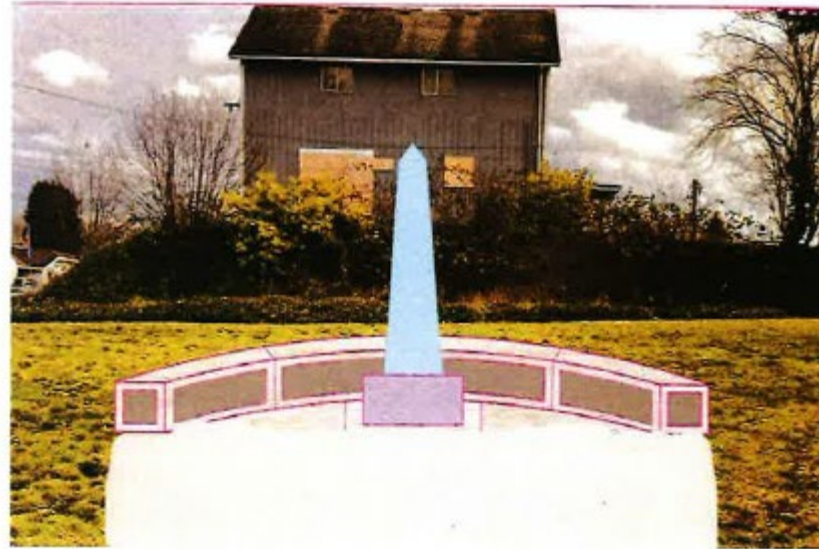
PEACE PLAZA

2020- 2021 Arlington Public Art Project





APPROXIMATE DIMENSIONS



SEAT WALL AND FOUNDATION SKETCH



SEAT WALL SIMILAR TO SPLASH PAD INSTALLATION

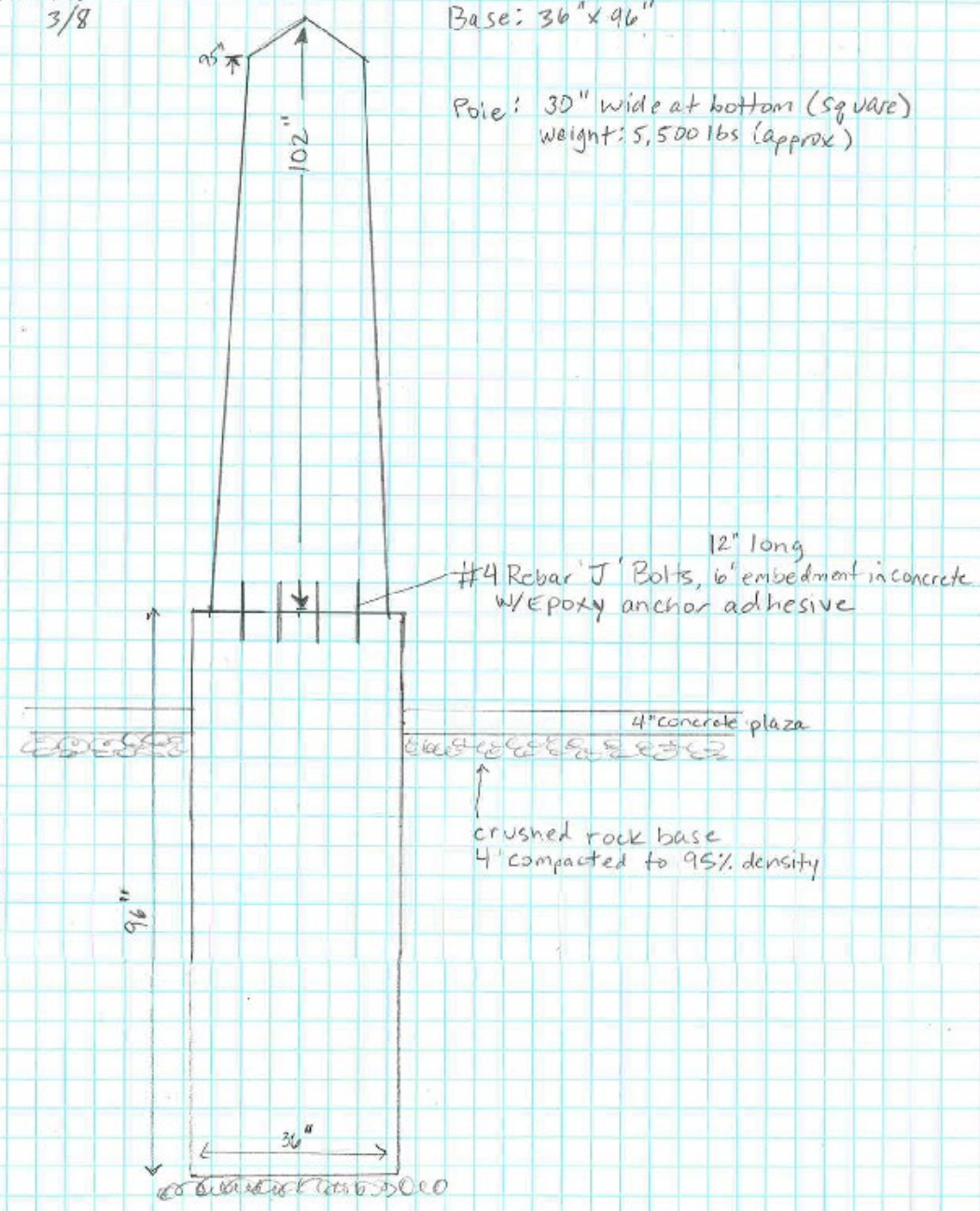
Budget

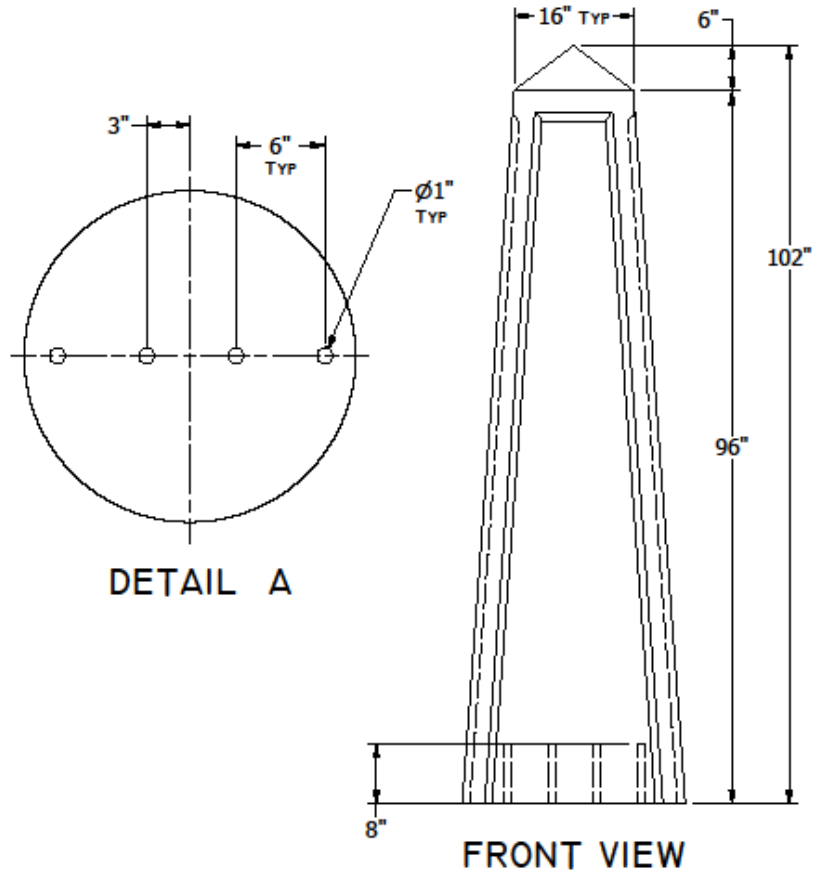
- Arlington Arts Council \$10,000 for glass art
- City of Arlington Public Art Fund \$5,000 glass art installation
- City of Arlington Public Art Fund \$32,432 concrete plaza

Revised
3/8

Base: 36" x 96"

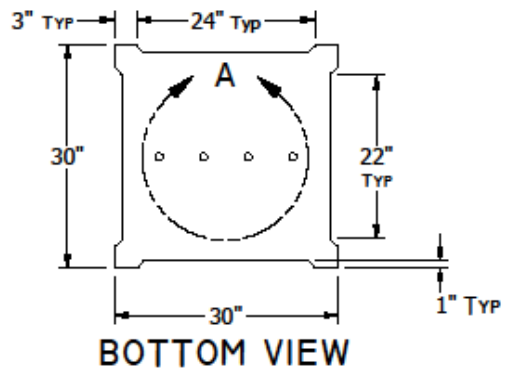
Pole: 30" wide at bottom (square)
weight: 5,500 lbs (approx)





NOTES:

- COMPRESSIVE STRENGTH: 4,000 PSI
- PROVIDE 2" COVER FOR ALL REINFORCEMENT
- APPROX. WEIGHT: 4,200 LBS



HIDDEN LINES OMITTED FOR CLARITY

























PEACE PLAZA